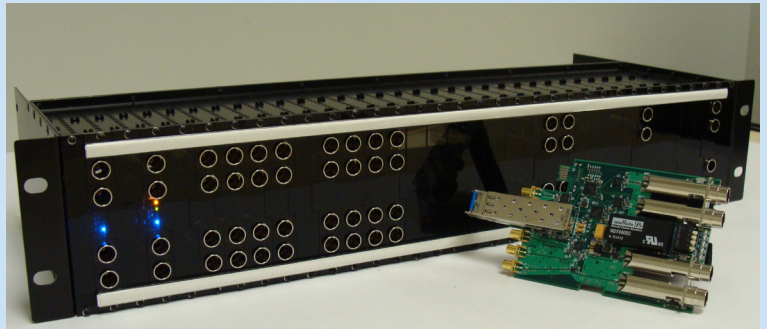


Patchable Distribution Amplifier

Model: PA-601FX

- 1 in x 4 out
- Half normalizing source jack
- Half normalizing destination jack
- Coax or Fiber in (w/ opt SFP)
- Coax and Fiber out (w/ opt SFP)
- Auto equalizing
- Multi-rate reclocking up to 3GB
- Supports all HD/SD formats
- Supports AES & Madi



PA-601FX with 32 position 2RU frame

Technical Specifications:

Input

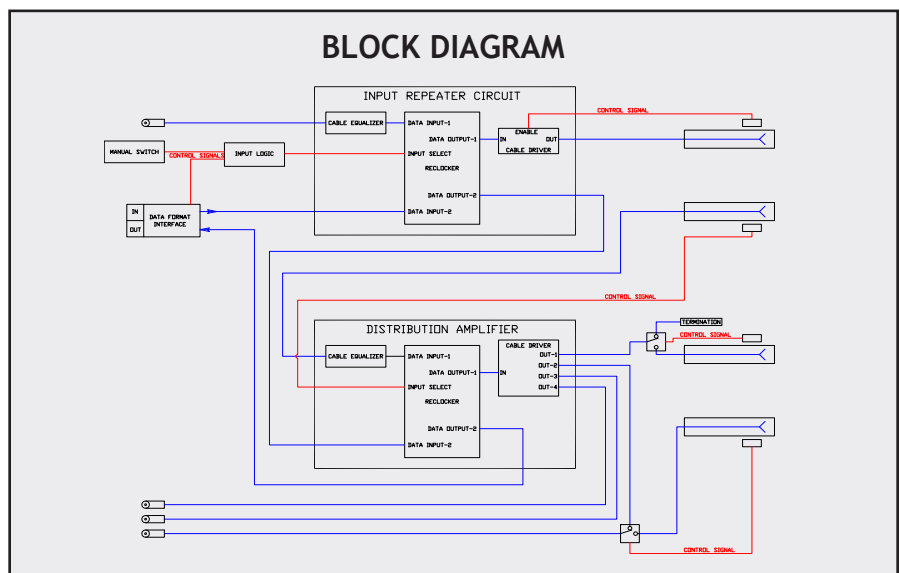
Number of Inputs 1
Input Connection DIN or LC Fiber
Input Impedance 75 Ohm
Input Return Loss > 15dB to 1.5GHz
> 10dB up to 3GHz
Signal Level 800mV +/-10%

Output

Outputs 3 Coax, 1 Fiber
Output Connection Din and LC Fiber
Output Impedance 75 Ohm
Output Return Loss > 15dB to 1.5GHz
> 10dB up to 3GHz

Performance

Standards SMPTE 424M, 292M, 259M, 344M
Data Rates 143, 177, 270, 360, 540, 1483.5, 1485, 2970
Max Cable Length 328 ft. @ 5.94 Gb/s Belden 1694A
656 ft. @ 2.97 Gb/s Belden 1694A
984 ft. @ 1.485 Gb/s Belden 1694A
1,804 ft. @ 270 Mb/s Belden 1694A
Equalization Mode Automatic Multi-Rate Reclocking
Signal Level 800mV Nominal
DC Offset 0V +/-0.5V
Rise & Fall Time 200ps nominal
Overshoot < 10% of amplitude
Wideband Jitter < 0.1 UI @ 3G



PATCHAMP

PATCHING & DISTRIBUTION TECHNOLOGY

20 East Kennedy Street, Hackensack, NJ 07601
201-457-1504 Fax: 201-457-1507
www.patchamp.com