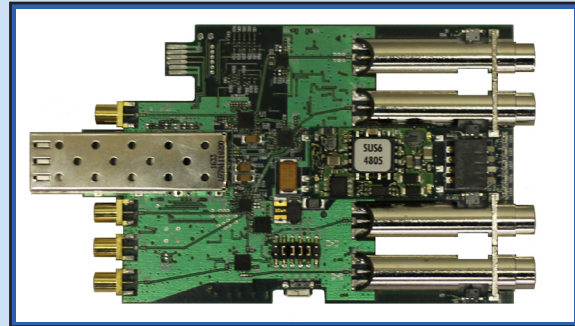


12G Patchable Distribution Amplifier

Model: PA-1201FX

- 1 in x 4 out
- Half normalizing source jack
- Half normalizing destination jack
- Coax or Fiber in (w/ opt SFP)
- Coax and Fiber out (w/ opt SFP)
- Auto equalizing
- Multi-rate reclocking up to 12Gb/s
- Supports all HD/SD formats
- Supports AES & Madi



PA-1201FX

Technical Specifications:

Input

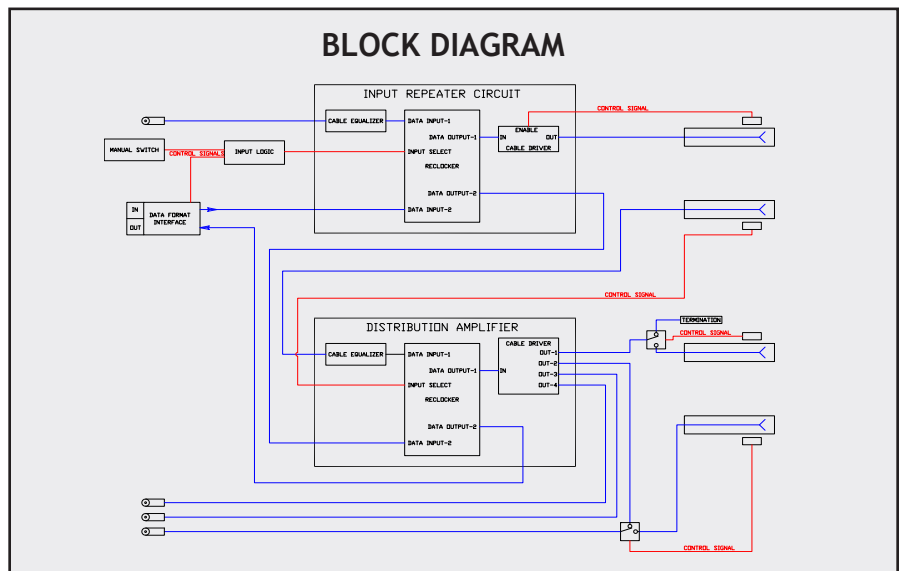
Number of Inputs	1
Input Connection	DIN or LC Fiber
Input Impedance	75 Ohm
Input Return Loss	> 15dB to 1.5GHz > 10dB up to 3GHz
Signal Level	800mV +/-10%

Output

Outputs	3 Coax, 1 Fiber
Output Connection	Din and LC Fiber
Output Impedance	75 Ohm
Output Return Loss	> 15dB to 1.5GHz > 10dB up to 3GHz

Performance

Standards	SMPTE 424M, 292M, 259M, 344M, ST2081, ST2082
Data Rates	143, 177, 270, 360, 540, 1485, 2970, 5940, 11880 Mb/s
Max Cable Length	225 ft. @ 11.88 Gb/s Belden 1694A 328 ft. @ 5.94 Gb/s Belden 1694A 656 ft. @ 2.97 Gb/s Belden 1694A 984 ft. @ 1.485 Gb/s Belden 1694A
Equalization Mode	Automatic Multi-Rate Reclocking
Signal Level	800mV Nominal
DC Offset	0V +/-0.5V
Rise & Fall Time	200ps nominal
Overshoot	< 10% of amplitude
Wideband Jitter	< 0.1 UI @ 3G



PATCHAMP

PATCHING & DISTRIBUTION TECHNOLOGY

20 East Kennedy Street, Hackensack, NJ 07601
201-457-1504 Fax: 201-457-1507
www.patchamp.com